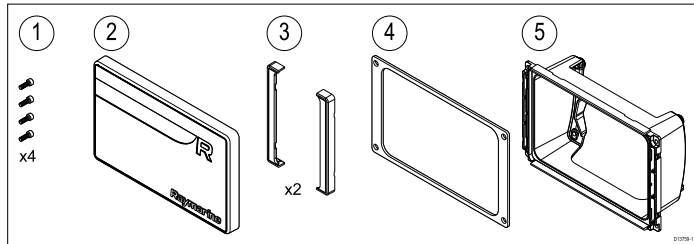


Axiom Front Installation Kit Instructions

Product overview

When access to the rear of the mounting surface is restricted, the Front installation kit can be used to Surface mount the MFD from the front.

Parts supplied

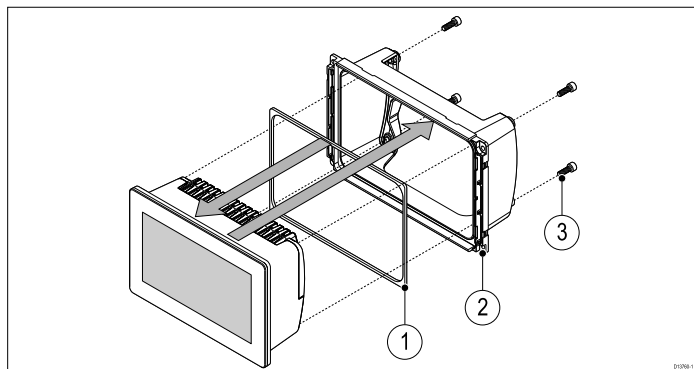


1. Caphead screws (M5x16) x 4 (used for securing the rear casing to the MFD.)
2. Suncover
3. Side bezels x 2
4. Gasket
5. Bracket

Creating the MFD assembly

Note:

1. For Axiom 7, ensure you have removed the MFD from the Trunnion adaptor.
2. The gasket in step 1 below, is the gasket that was supplied with your MFD.

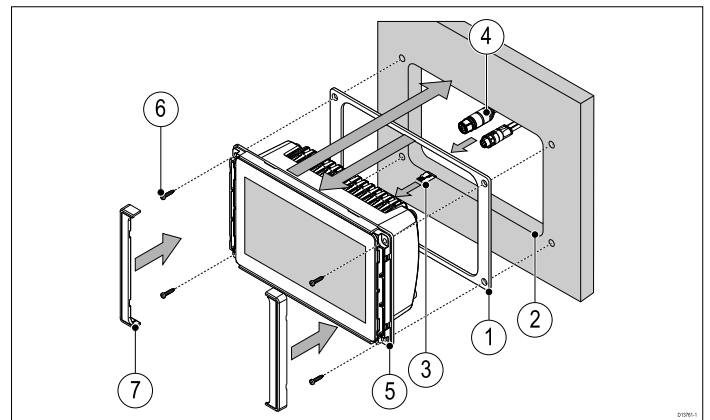


1. Remove the backing from the gasket and attach it to the rear of the MFD, ensuring that the black, soft side is facing the MFD.
2. Insert the MFD into the Bracket.
3. Using the supplied caphead screws, secure the MFD to the Bracket.

Front Mounting

Note:

- 4 x appropriate size self tapping screws (not supplied) are required to mount the unit.
- Drill bit and screw size are dependent upon the thickness and type of material that the unit is being mounted on.



1. Remove the backing from the gasket that was supplied with the Front Installation Kit, then attach it to the rear of the MFD assembly, ensuring that the black, soft side is facing the rear of the assembly.
2. Using the Front Mounting Kit mounting template as a guide, cut and drill the relevant holes in the mounting surface.
3. If required insert your MicroSD card into the MFD card reader located under the cover, above the Power connector.

After installation the MFD will have to be removed to gain access to the MicroSD card slot.

4. Route and attach necessary cables.
5. Insert the MFD assembly into the cut out hole.
6. Secure the MFD assembly using appropriate self tapping screws (not provided).
7. Attach the bezel pieces.